

---

**Frequency converter OM 750/ 1800/ 6000**

---

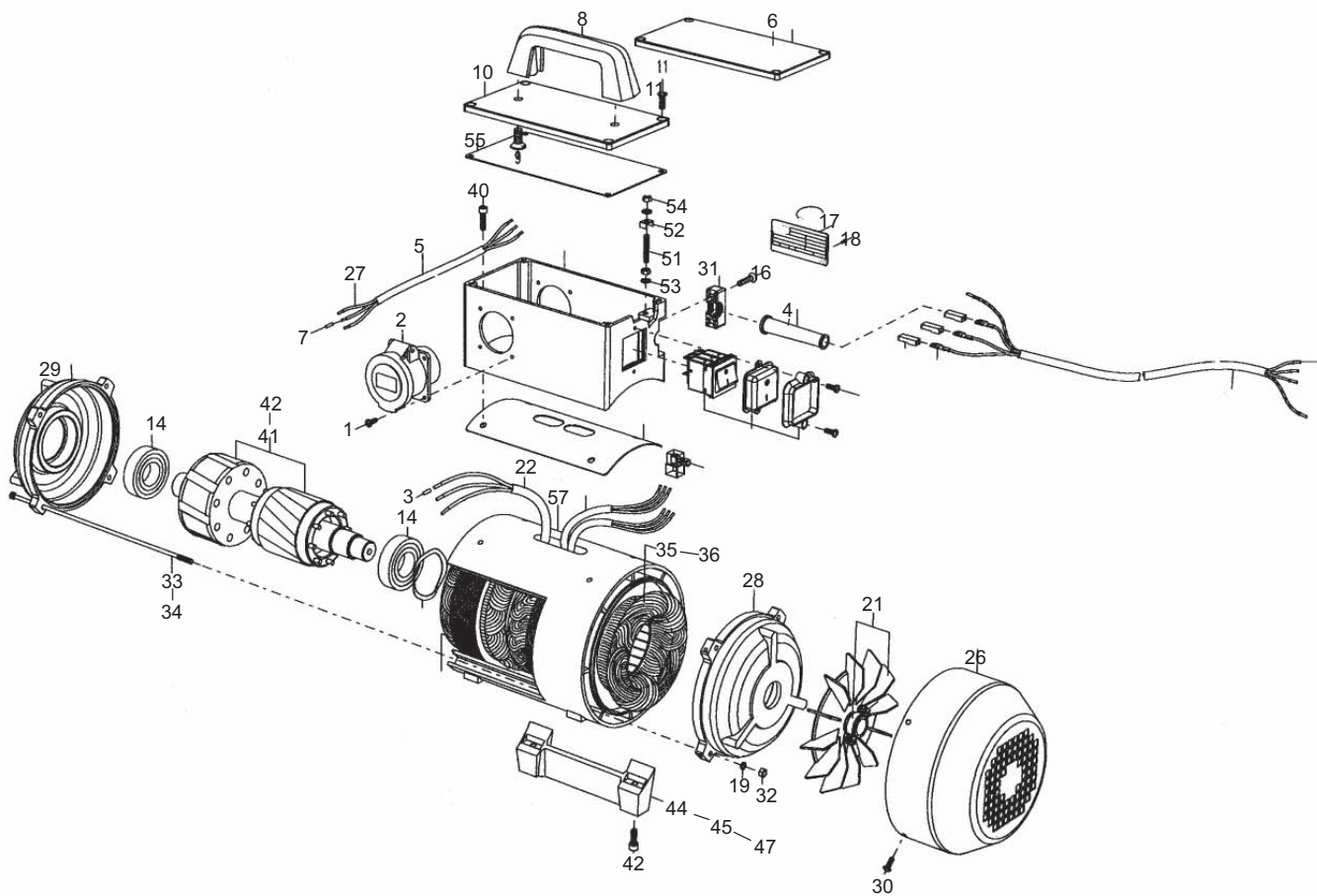


## SPARE PART LIST

### TREMIX Frequency converter OM 1800

Date 0502

Pos	Qty	NO	Denomination
1		MPM2050	Screw 3.9x16 CrossCut galvanized UNI 6954
2		MP339	CEE Socket 32A 3P 40+50 V 200 Hz 4h
3		MPM3080	Wire Sleeve 6 mm
4		MP338	Cable Sleeve PVC black 11x18x80
5		MP1560	Plastic Sleeve 10 black
6		MP510	Switch Box Cover without holes Conv. 1.5-2 3ph.
7		MPM3060	Wire Sleeve 2.5 mm
8		MP308	Handle
9		MPM0820	Screw 8x20 UNI 6109 4th. - Galvanized
10		MP506	Switch Box Cover With holes Conv. 1.5 KVA 3ph.
11		MPM0870	Screw 5x16 CrossCut DIN 965 4.8 Galvanized
12		PF523	Switch Box Conv. 1.8-2.4 KVA 3ph. ITL
13		MP519	Bearing 1 Rim 6206 ZZ 30x62x16
14		MPM2575	Spring Ring 61x51 Th. 0.4
15		MPM0880	Screw 5x25 CrossCut DIN 965 4.8 Galvanized
16		MPM3562	Data Plate (Tremix) CE
17		MPM2810	Self Tapping Screw 1.9x5 T.T.ACC:OTT
18		MPM1800	Ring 5 UNI 1751
19		PF322	3-ph. Flexible Cord PVC 2m Conv.1.2-1.8-2.4 T3ph.ITP
20		MP542	Fan
21		MP1570	Plastic Sleeve 12 black
22		MPM3387	Insulated Terminal 6mm
23		MPM3050	Wire Sleeve 1.5mm
24		MPM3110	Cable Lug 6.3mm-2.5+6mm
25		MP543	Fan Cap
26		MPC0030	Flexible Cable PVC black N07V-K1x2.5mm
27		PF541	Fan Cover with hole - Conv..1.8-2.4 KVA S.
28		PF540	Bearing Cover without hole - Conv.1.8-2.4 KVA S.
29		MPM2070	Screw 3.9x9.5 UNI 6949 Galvanized
30		MP505	Fixing clip Conv.0.7-1.2-1.8-2.4 KVA
31		MPM1040	Nut 5 UNI 5588 6S
32		MP539	Screw 5x220 thread 20 Conv.1.8 KVA 3ph.
33		MP430	Screw 5x245 thread 20 Conv.1.2-1.8 1ph./1.2-2.43ph
34		PF525	Motor Stator 230/400V 50 Hz 1.8 KVA 3ph
35		PF566	Motor Stator 230/400V 50 Hz 2.4 KVA 3ph
36		PF537	Generator Stator 42V 200Hz 1.8 KVA SK
37		PF853	Generator Stator 42V 200Hz 2.4 KVA SK
38		MPM3150	Cable Lug

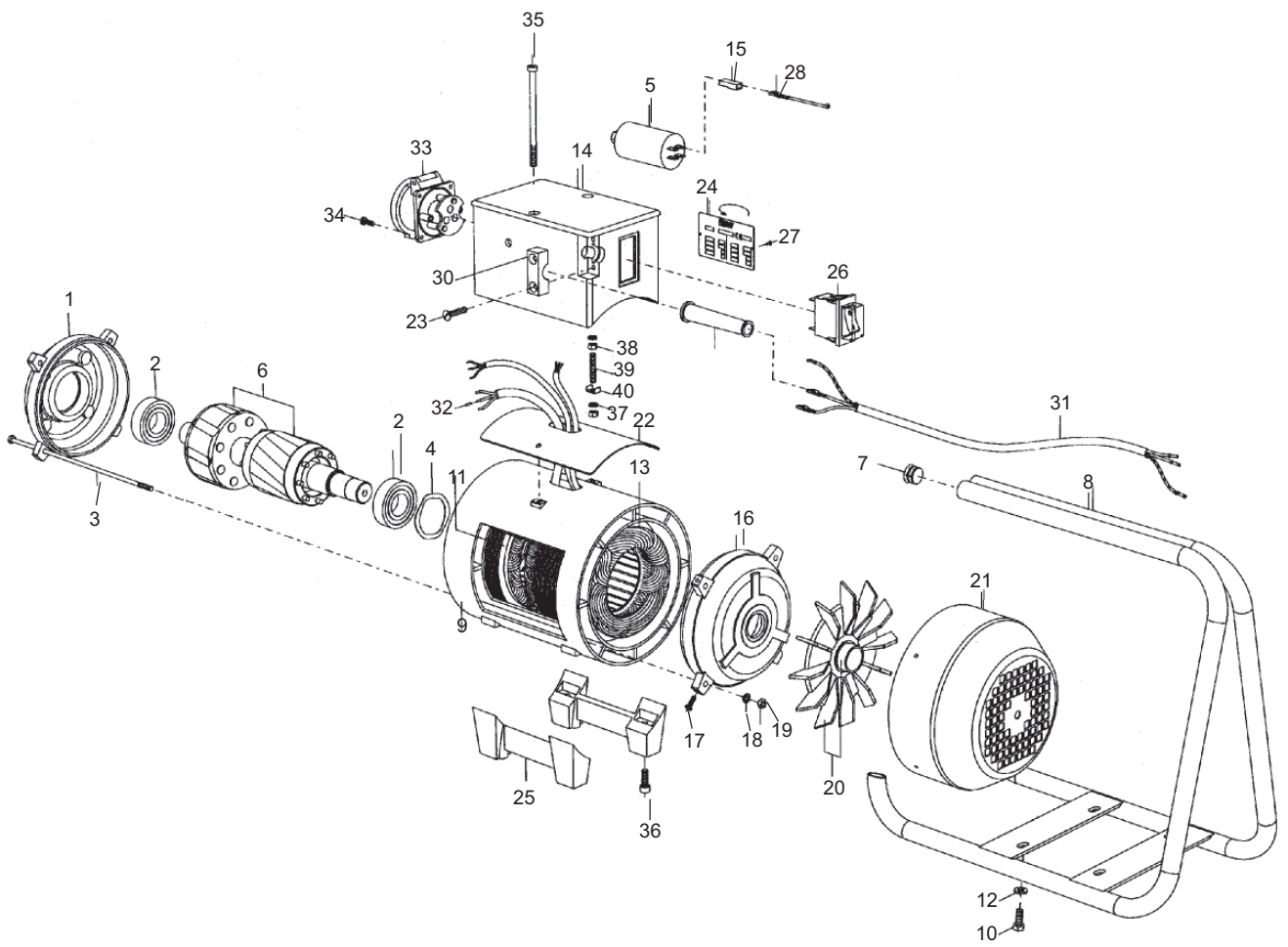


## SPARE PART LIST

### TREMIX Frequency converter OM 750

Date 0502

Pos	Qty	NO	Denomination
1		PF333	Bearing Cover
2		MP344	Ball Bearing 1 Rim 6205 ZZ 25x52x15
3		MP230	Screw 5x200 fil.20 mm
4		MPM2569	Spring Ring 51x42 - 0.4 thick
5		MP404	Condenser 18 mF - 450 V. Shank 8 MA
6		PF263	Rotor 0.7 KVA 1ph. SINTEK
7		MPM4305	Tube end 18
8		PF432	Carriage Frame
9		PF269	Stator Housing
10		MPM0418	Screw 6x16 UNI 5739 8.8
11		PF261	Generator Stator 42V 200Hz 0.7 KVA SK
12		MPM1717	Ring 6x18 UNI 6593 4S
13		PF225	Motor Stator 230V 50Hz 0.7 KVA
14		PF408	Switch Box
15		MPM3150	Protection Sleeve
16		PF319	Fan Cover
17		MPM2070	Screw 3.9x9.5 UNI 6949 galvanized
18		MPM1800	Ring 5 UNI 1751
19		MPM1040	Bolt 5 UNI 5588 6S
20		MP311	Fan
21		MP314	Fan Cap
22		MP348	Switch Box Seal 110x164 mm
23		MPM0880	Screw 5-25 CR DIN 965 4.8 galvanized
24		MPM3562	Data Plate (Tremix) CE
25		PF433	Converter Foot F. 6MA
26		MP237	Lever Thermic Switch 2 Poles 7A
27		MPM2810	Self Tapping Screw 1.9x5 T.T.ACC.OTT.
28		MPM3100	Cable Lug 6.3 mm - 1/2.5 mm
29		MP338	Cable Sleeve PVC black 11x18x80
30		MP505	Fixing Clip Conv. 0.7-1.2-1.8-2.4 KVA
31		PF434	1-ph. Flexible Cord PVC 2m Conv. 0.7-1.2 KVA
32		MPM3060	Wire Sleeve 2.5 mm
33		MP339	CEE Socket 32A 3P 40/50V 200Hz 4h
34		MPM2050	Screw 3.9x16 CrossCut galvanized UNI 6954
35		MPM0105	Screw 6x100 UNI 5931 c.8.8 galvanized
36		MPM0050	Screw 6x18 UNI 5931 c.8.8 galvanized
37		MPM1910	Ring 5 DIN 6798
38		MPM1041	Nut 5 hexagon10 H.4 4th.
39		MPM2665	Worm screw 5x30 4th. TROP. (earth)
40		MPM2670	Earth Terminal

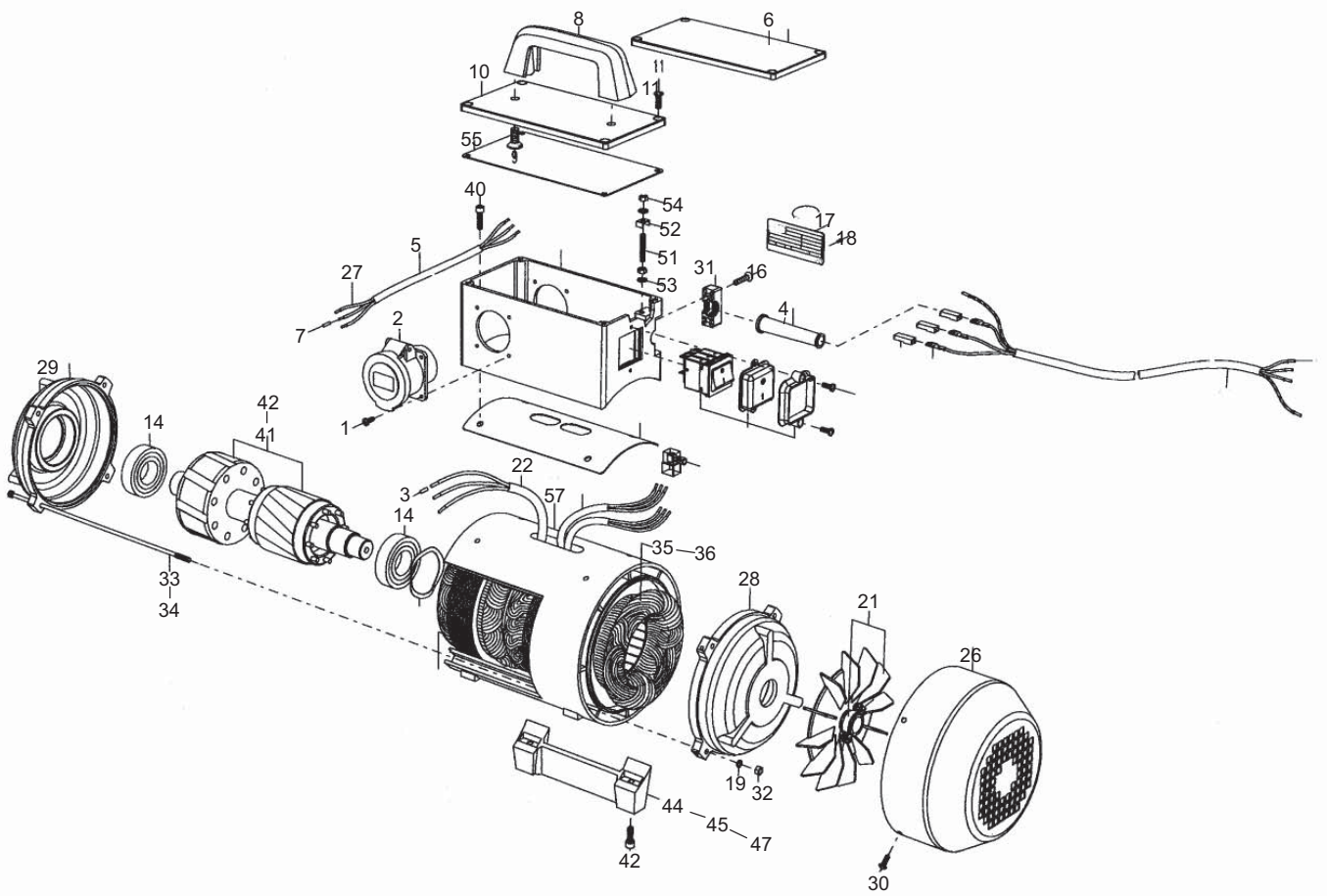


## SPARE PART LIST

### TREMIX Frequency converter OM 1800

Date 0502

Pos	Qty	NO	Denomination
39		MPM0050	Screw 6x18 UNI 5931 c.8.8 Galvanized
40		PF532	Rotor 1.8 KVA 3ph. SINTEK
41		PF581	Rotor 2.4 KVA 3ph. SINTEK
42		MP548	Switch Box Seal 108x198 mm Conv. 1.8/4.0
43		MP318	Converter foot
44		PF433	Conv.Foot W/ holes 0.7-1.2-1.8 3ph. KVA thread 6MA
45		PF521	Conv.Foot W/ holes 1.8-2.4 3ph. KVA thread 6MA
46		MP546	Lever Thermic Switch 3P 4A 1.8 KVA 3ph.
47		MP563	Lever Thermic Switch 3P 5A 2.4 KVA 3ph.
48		MPM1717	Ring 6x18 UNI 6593 4th.
49		MPM0418	Screw 6x16 UNI 5739 8.8
50		MPM2665	Worm Screw 5x30 4th. TROP. (earth)
51		MPM2670	Earth Terminal
52		MPM1910	Ring 5 DIN 6798
53		MPM1041	Nut 5 hexagon 10 H.4 4th.
54		MP549	Cover Seal 103x198 mm Conv. 1.5-2 3ph.

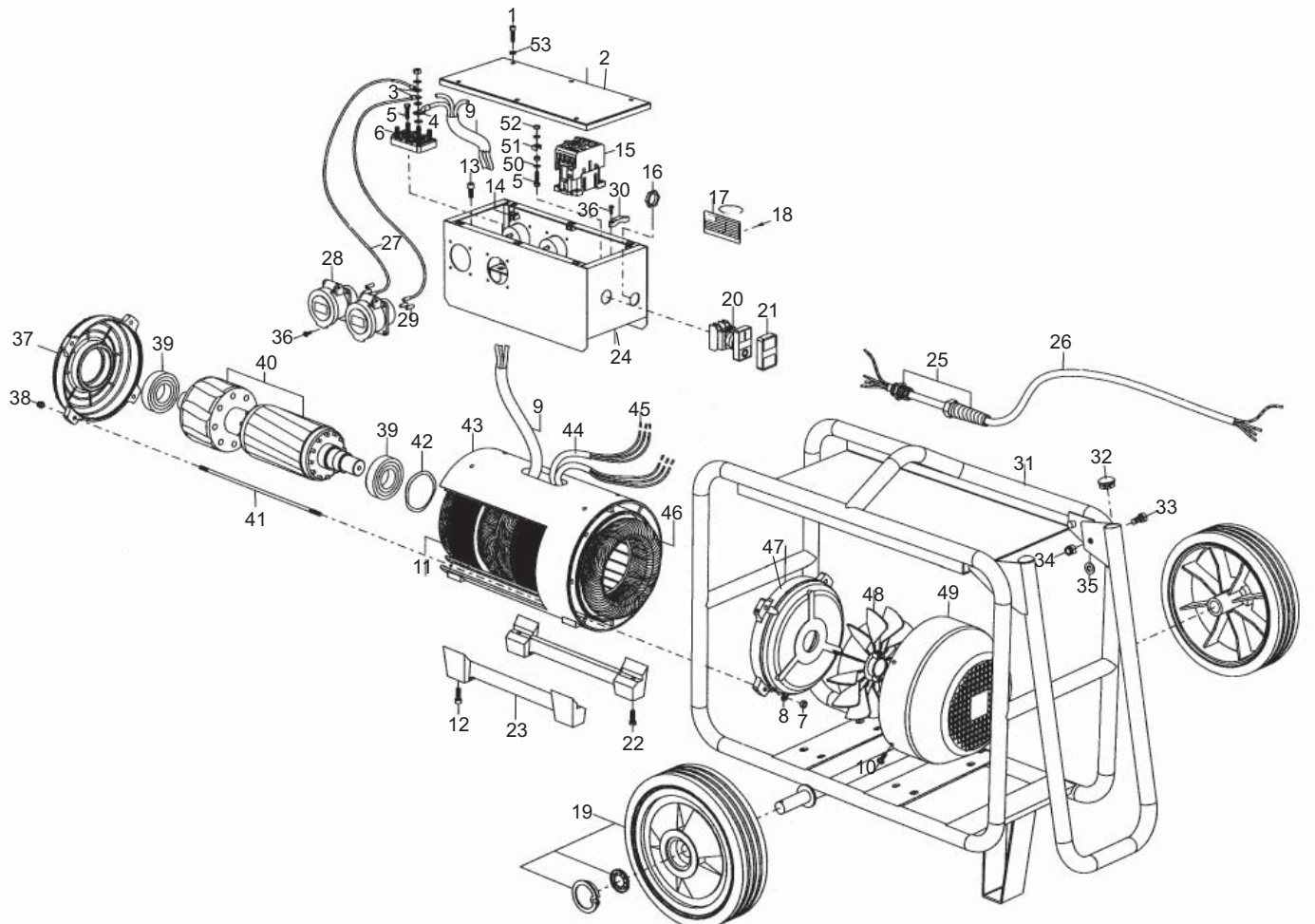


## SPARE PART LIST

### TREMIX Frequency converter OM 6000

Date 0502

Pos	Qty	NO	Denomination
1		MPM0401	Screw 5x16xUNI 5739 8.8 with flange
2		PF4168	Switch Box Cover Conv. 6 KVA
3		MPM3223	Ring Cable Lug 6.2x5/6 mm
4		MPM3227	Cable Lug 6x16 mm
5		MPM0410	Screw 5x20 UNI 5739 4th. TROP.
6		MPM3391	Terminal Board 70x45-6 pins 6
7		MPM1050	Nut 6 UNI 5588 6th.
8		MPM1810	Ring 6 UNI 1751
9		MP1580	Plastic sleeve 14 black
10		MPM2080	Screw 4.8x13 UNI 6950
11		PF4182	Generator Stator 42V 200 Hz 6 KVA SK
12		MPM0420	Screw 8x20 UNI 5739 4th.
13		MPM0050	Screw 6x18 UNI 5931 c.8.8 Galvanized
14		MPM1300	Cap Nut 5 MA
15		MP4181	Switch 3phase 16 A - Coil 380 V
16		MPM3477	Plastic Nut PG 13.5 black
17		MPM2562	Data Plate (Tremix) CE
18		MPM2820	Rivet T.T 2.4x6 Alu
19		MP4044	Wheel 250x55 Hub 20x57
20		PF4169	Double Push Button On/Off
21		MP4172	Switch Seal
22		MPM0110	Screw 8x20 UNI 5931 c.8c8
23		PF4121	Converter Foot - 6 KVA
24		PF4167	Switch Box Conv. 6 KVA
25		MPM3476	Fixing Clip Spiralblock PG 13.5 black
26		PF4037	Flexible Cord PVC 3m Conv. 3/4 3ph.
27		MPC0101	Flexible Cable PVC black N07V-K 1x6 mm
28		MP339	Cee Socket 32 A 3P 40/50 V 200 Hz 4h
29		MPM3080	Wire Sleeve 6mm
30		MP1213	Fixing Clip
31		PF4045	Wheel Barrow Frame
32		MPM4312	Tube End 25
33		MPM0420	Screw 8x20 UNI 5739 4th.
34		MPM1220	Self Blocking Nut 8-13x10.6 UNI 7473
35		MPM1540	Ring 8 UNI 6592 4th. Galvanized
36		MPM2050	Screw 3.9x16 CrossCut Galvanized UNI 6954
37		PF4014	Bearing Cover Without Hole

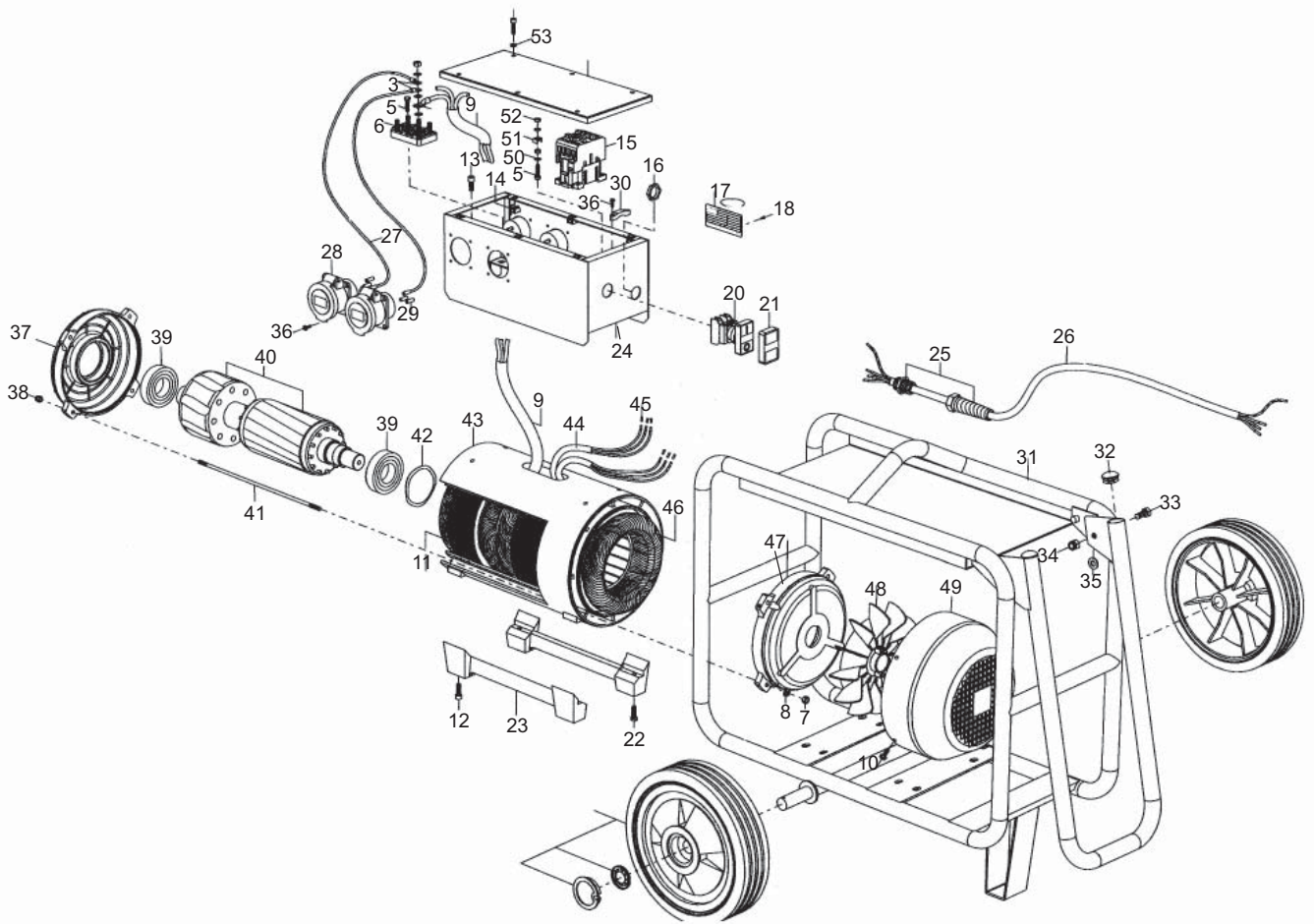


## SPARE PART LIST

Date 0502

TREMIX Frequency converter OM 6000

Pos	Qty	NO	Denomination
38		MP4007	Bearing 1 Rim 6207 ZZ 35x72x17
39		PF4181	Rotor 6 KVA SINTEK - Poles
40		MP4186	Thread End 6x370 Thread 20/20 Conv.5 KVA SK
42		MPM2580	Spring Ring 71x61 th.0.5
43		PF4184	Housing Conv. 6 KVA SK
44		MPI1560	Plastic Sleeve 10 black
45		MPM3060	leeve 2.5 mm
46		PF4175	Motor Stator 400/693V 50 Hz 6 KVA 6ph.
47		PF4013	Fan Cover W/ Hole Conv. 3/7.5 KVA SINTEK
48		MP4008	Fan Conv. 3/7.5 KVA
49		MP4010	Fan Cap Conv.. 3/7.5 KVA
50		MPM1910	Ring 5 DIN 6798
51		MPM2670	Earth Terminal
52		MPM1041	Nut 5 hexagon 10 H.4 4th.
53		MPM1650	Olastc Washer 5x11 th. 1 mm



### RESERVDLSBESTÄLLNING

För att undvika felleveranser vid reservdelsbeställning är det angeläget att produkttyp och tillverkningsnummer såväl som pos., antal, benämning och detaljnummer anges.

### SPARE PARTS ORDERING

To prevent wrong deliveries, your orders should specify type of product, serial number as well as item No., quantity, denomination and part No.

### ERSATZTEILBESTELLUNG

Um fehlerhafte Lieferungen bei Ersatzteilbestellung zu vermeiden, ist es wichtig, daß Typ und Herstellungsnummer sowie Position, Anzahl, Benennung und Teil-Nr. angegeben werden.

